



STANDARD DISC THERMISTOR

DISC TYPE THERMISTOR

This listing of disc thermistor has a resistance range from 90Ω to 470Ω and Beta from 3100K to 4770K. Various models are available for temperature measurement or compensation.

FEATURES

- Small
- High Accuracy
- Low cost
- Rugged

APPLICATIONS

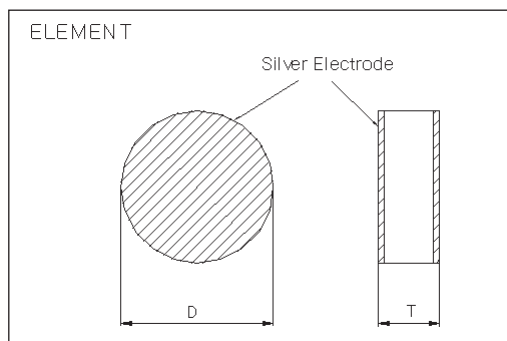
- Temperature Compensation
- Time delay
- Airflow sensing
- Temperature control
- Liquid Level

DIMENSION

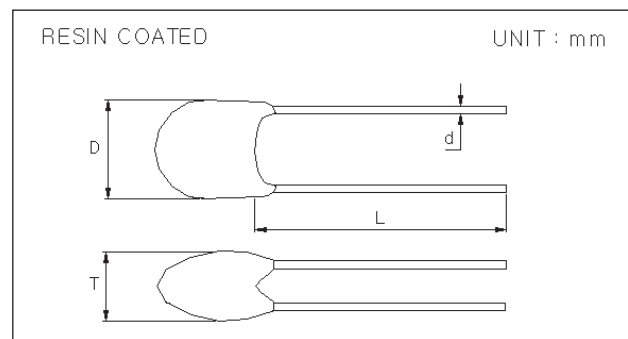
TYPE	CODE	RESIN	D	T	L	d
ELEMENTS	-EL	-	4.6 ± 0.4	1.2 ± 0.4	-	-
	-ELI		5.0 ± 0.5	2.0 ± 1.0		
COATING TYPE	-DA,-DAH	EPOXY	6.3 max.	5.0 max.	28 min.	0.5
	-D,-DH	LAQUER	5.5 max.	4.0 max.		

Dissipation factor	Time constant	Operating temperature Range	Rated power at 25°C
4.5(mW/°C)	50 sec. approx.	-20~110°C	36(mW)

ELEMENTS TYPE SHAPE



COATING TYPE SHAPE



Crown Industrial Estate, Priorswood Road
 Taunton, Somerset TA2 8QY UK
 Tel +44 (0) 1823 335200
 Fax +44 (0) 1823 332637

808 US Highway 1
 Edison, New Jersey 08817-4695 USA
 Tel +1 (732) 287 2870
 Fax +1 (732) 287 8847

967 Windfall Road
 St. Marys, Pennsylvania 15857-3397 USA
 Tel +1 (814) 834 9140
 Fax +1 (814) 781 7969



STANDARD DISC THERMISTOR

SPECIFICATIONS

Part Number	Resistance (25Ω)	β constant (25/50Ω)
T5D090K31J	90Ω	3100K
T5D110K31J	100Ω	3100K
T5D120K31J	200Ω	3200K
T5D130K31J	300Ω	3100K
T5D135K31J	350Ω	3100K
T5D150K38J	500Ω	3800K
T5D165K38J	650Ω	3800K
T5D210K38J	1kΩ	3800K
T5D215K38J	1.5kΩ	3800K
T5D220K38J	2kΩ	3800K
T5D222K38J	2.2kΩ	3800K
T5D230K39J	3kΩ	3900K
T5D250K39J	5kΩ	3900K
T5D268K39J	6.8kΩ	3900K
T5D310K42J	10kΩ	4200K
T5D320K42J	20kΩ	4200K
T5D330K45J	30kΩ	4500K
T5D347K44J	47kΩ	4400K
T5D350K44J	50kΩ	4400K
T5D410K45J	100kΩ	4500K
T5D415K45J	150kΩ	4500K
T5D420K47J	200kΩ	4700K
T5D430K47J	300kΩ	4700K
T5D440K47J	400kΩ	4700K
T5D447K47J	470kΩ	4700K

- * The tolerance of resistance is ±10% for standard device.
- * The tolerance of β constant is ±5% for standard device.
- * The β constant is determined by the equation:

$$\beta = 3853.9 \ln (R25/R50)$$
R25 and R50 represent the thermistor resistance at 25Ω and 50Ω respectively.
- * For non-standard devices consult Thermometrics Global Business.

CODE DESIGNATION

T5D	310	K	42	J	B	P	EL	0
1	2	3	4	5	6	7	8	9

1- Shape of element: Disk Type 3:3, 5:5
2- Resistance at 25°C: 310 = $10 \times 10^3 = 10k$
3- Resistance tolerance: H: ±3% J: ±5% K: ±10% ,L : ±15% ,M : ±20%,
4- B constant: 39:3900K 42:4200K
5/6- Reference Temperature: A:0°C, B:25°C, C:50°C, D:75°C, E: 85°C, F:100°C, G:150°C, H:200°C
7- Lead wire: P:C P wire, U:CU wire
8- Shape of Product: EL: Elements, - D DH : Laquer Resin,-DA DAH: Epoxy Resin
9- Color Code

Crown Industrial Estate, Priorswood Road
Taunton, Somerset TA2 8QY UK
Tel +44 (0) 1823 335200
Fax +44 (0) 1823 332637

808 US Highway 1
Edison, New Jersey 08817-4695 USA
Tel +1 (732) 287 2870
Fax +1 (732) 287 8847

967 Windfall Road
St. Marys, Pennsylvania 15857-3397 USA
Tel +1 (814) 834 9140
Fax +1 (814) 781 7969