



NTC THERMISTORS: TYPE UD20

UNLEADED DISC

DESCRIPTION:

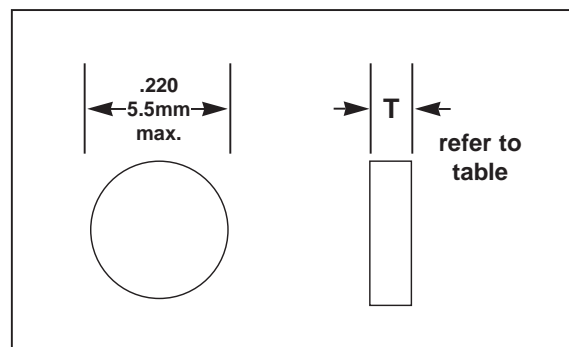
Unleaded disc thermistor for engine temperature measurement.

FEATURES:

- Extremely low cost solid state sensor
- Available in a broad range of resistances and material systems
- High sensitivity to changes in temperature
- Suitable for probe mounting
- Normally used for gauge driving under self-heated conditions
- Wide operating temperature range: -50°C to 150°C
- Rugged construction
- Proven quality and reliability over many years of manufacture



DIMENSIONS:



TYPE NUMBER	β 25/85	MATERIAL SYSTEM	R@100C ($\pm 5\%$)	R@125C (Ref.)	R@25C (Ref.)	Thickness in. (mm.) T
2006-86.6-70-UD	3394	S7.0	13.80	7.59	137.2	0.06 (1.5)
2006-122-76-UD	3541	S7.6	18.00	9.66	197.6	0.06 (1.5)
2005-125-73-UD	3468	D7.3	19.16	10.42	200.2	0.05 (1.3)
2006-138.9-78-UD	3600	S7.8	20.00	10.67	226.5	0.06 (1.5)
2006-165.7-81-UD	3658	S8.1	23.00	12.16	273.1	0.06 (1.5)
2007-175.1-85-UD	3772	D8.5	23.21	12.38	294.5	0.07 (1.8)
2006-184.1-83-UD	3704	S8.3	25.00	13.14	305.4	0.06 (1.5)
2006-213.7-86-UD	3773	S8.6	28.00	14.65	357.9	0.06 (1.5)
2006-256.0-89-UD	3837	S8.9	32.50	16.83	432.8	0.06 (1.5)
2006-300.1-92-UD	3901	S9.2	37.00	18.98	513.1	0.06 (1.5)
2006-364.7-77-UD	3592	D7.7A	52.14	27.88	593.4	0.06 (1.5)
2006-450.0-97-UD	3993	S9.7	52.60	26.61	777.3	0.06 (1.5)
2006-484.1-100-UD	4045	S10.0	55.00	27.58	842.1	0.06 (1.5)
2005-1272-245-UD	5585	HL24.5	61.82	23.36	2711	0.05 (1.3)
2006-719.3-105-UD	4125	S10.5	78.00	38.66	1266	0.06 (1.5)
2004-1K-115-UD	4284	S11.5	99.48	47.95	1796	0.04 (1.0)
2006-983.1-109-UD	4190	S10.9	103.0	50.5	1745	0.06 (1.5)
2006-412-41-UD	2489	B4.1	104.8	66.2	571.9	0.06 (1.5)
2006-1120-107-UD	4161	S10.7	119.2	58.58	1980	0.06 (1.5)

BOWTHORPE THERMOMETRICS
 Crown Industrial Estate, Priorswood Road
 Taunton, Somerset TA2 8QY UK
 Tel +44 (0) 1823 335200
 Fax +44 (0) 1823 332637

THERMOMETRICS, INC.
 808 US Highway 1
 Edison, New Jersey 08817-4695 USA
 Tel +1 (732) 287 2870
 Fax +1 (732) 287 8847

KEYSTONE THERMOMETRICS CORPORATION
 967 Windfall Road
 St. Marys, Pennsylvania 15857-3397 USA
 Tel +1 (814) 834 9140
 Fax +1 (814) 781 7969



NTC THERMISTORS: TYPE UD20

UNLEADED DISC

TYPE NUMBER	β	MATERIAL SYSTEM	R@100C ($\pm 5\%$)	R@125C (Ref.)	R@25C (Ref.)	Thickness in. (mm.) T
2006-1167-111-UD	4223	S11.1	120.0	58.5	2079	0.06 (1.5)
2006-1355-113-UD	4253	S11.3	137.0	66.4	2424	0.06 (1.5)
2006-1600-103-UD	4073	D10.3	177.5	88.05	2786	0.06 (1.5)
2006-2010-118-UD	4329	S11.8	195.0	93.3	3630	0.06 (1.5)
2006-2753-120-UD	4356	D12.0	263.3	125.5	5000	0.06 (1.5)
2006-3K-123-UD	4396	S12.3	280.0	132.4	5466	0.06 (1.5)
2006-4240-125-UD	4423	S12.5	389.9	182.9	7756	0.06 (1.5)
2006-4444-128-UD	4462	S12.8	400.0	185.9	8170	0.06 (1.5)
2006-5679-131-UD	4501	S13.1	500.0	230.2	10488	0.06 (1.5)
2006-8240-134-UD	4541	S13.4	709.4	324.8	15284	0.06 (1.5)
2006-9186-137-UD	4586	S13.7	775.0	351.6	17120	0.06 (1.5)
2006-13.3K-140-UD	4615	D14.0	1100	495.7	24923	0.06 (1.5)
2006-14.8K-143-UD	4649	S14.3	1200	536.2	27811	0.06 (1.5)
2006-18.6K-146-UD	4685	S14.6	1475	655.2	35060	0.06 (1.5)
2006-21.7K-148-UD	4701	S14.8	1700	751.9	41023	0.06 (1.5)
2006-27.53K-150-UD	4728	D15.0	2133	939.9	52220	0.06 (1.5)
2006-30.1K-152-UD	4750	S15.2	2300	1008	57170	0.06 (1.5)
2006-38.0K-155-UD	4783	D15.5	2850	1243	72493	0.06 (1.5)

OPTIONS:

- Other resistances
- Other tolerances, tolerances at other temperatures
- Alternative sizes and configurations
- Alternative material systems and resistances

BOWTHORPE THERMOMETRICS
Crown Industrial Estate, Priorswood Road
Taunton, Somerset TA2 8QY UK
Tel +44 (0) 1823 335200
Fax +44 (0) 1823 332637

THERMOMETRICS, INC.
808 US Highway 1
Edison, New Jersey 08817-4695 USA
Tel +1 (732) 287 2870
Fax +1 (732) 287 8847

KEYSTONE THERMOMETRICS CORPORATION
967 Windfall Road
St. Marys, Pennsylvania 15857-3397 USA
Tel +1 (814) 834 9140
Fax +1 (814) 781 7969